

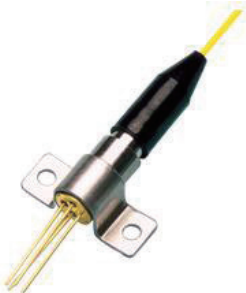
980nm 30mW Coaxial Fiber coupled Laser Diode with MMF

976nm~980nm Pigtailed LD with MM Fiber

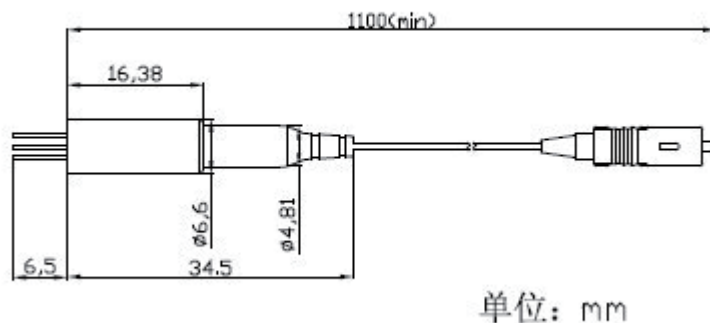
WSLP-980-030m-105M-PD

Wavespectrum laser inc.

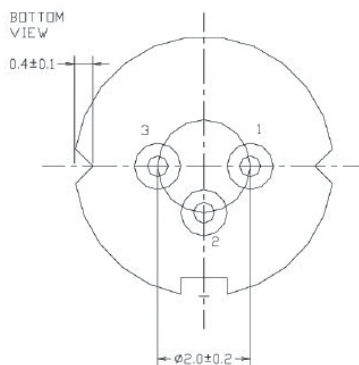
www.wavespectrum-laser.com

980nm Pigtailed Diode Laser		30mW/MM Fiber		Wavespectrum Laser, Inc	
PARAMETER	SYMBOL	VALUE		UNIT	
Reverse Voltage	V_r	2.0		V	
Operating Temperature	T_{op}	-10~+40		°C	
Storage Temperature	T_{stg}	-40 ~ +85		°C	
Lead soldering temperature (10 sec.)	T_{is}	260		°C	
Features: <ul style="list-style-type: none"> 980nm MM Fiber Coaxial package Built-in PD 					
Applications: <ul style="list-style-type: none"> Medical laser treatment Printing 					
Specifications		WSLP-980-030m-105M-PD			
		Min	Type	Max	
Center Wavelength@25°C		970nm	980nm	990nm	
Spectral Width (FWHM)		----	2.0nm	3.0nm	
Output Power		----	30mW	----	
Fiber Core		105 um			
Slope Efficiency		0.8mW/mA	0.9mW/mA	----	
Monitor Current		----	450uA	----	
PD Reverse Voltage		----	30V	----	
Fiber Connector		FC/ST/SMA905			
Fiber Length		----	80cm	100cm	
Threshold Current (Typ.)		----	55mA	----	
Operating Current (Typ.)		----	130mA	----	
Operating Voltage		----	1.9V	2.2V	
Package Style		Coaxial			

Coaxial Package View



PIN Bottom View:



1	LD(+)
2	LD(-)&PD(-)
3	PD(+)

**Electrically shorten LD module and store in non-extreme conditions.
Suggest using the constant current power supply.**

